

RLGHE/SST25

SOLAR PUMPING STATION

SONNENKRAFT

EASY

Pre-fitted on the FWSS tank

EFFICIENT

Energy-saving high-efficiency solar pumps

EXTRA

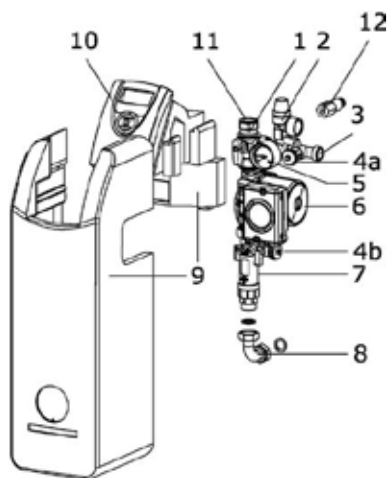
User-friendly controller with preset solar schemas



TECHNICAL DATA

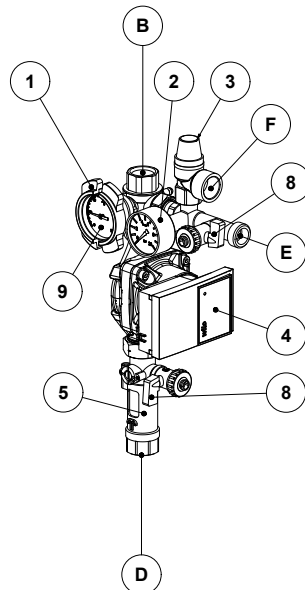
		1-line		2-line
		RLGHE	SSTX25/1E	SSTX25/2E & SST25/2E
Dimensions (H x W x D)	mm	600 x 180 x 200	405 x 285 x 180	570 x 330 x 230
Cover		EPP black	EPP black	EPP black
Weight	kg	7,5	6,5	8,5
Controller		STRGO (2-circuit) 3 x sensor Pt1000	-	SSTX25/2E: - SST25/2E: STRGO (2-circuit) 3 x sensor Pt1000
Solar piping connection		Klemmringverschr. ø 22 mm	G3/4" Fem.	G3/4" Fem.
Storage tank connection		G3/4" Male	G1" Male	G1" Male
Medium water (with max. propylen glycole)	%	50	40	40
Nominal width		DN 15	DN 15	DN 15
operation temp. supply	°C	140	140	140
Operation temp. return	°C	120	120	120
max. operating pressure	bar	max. 6	max. 6	max. 6
Pump		PARA 15/7.0	PARA 15/7.0	PARA 15/7.0
Input	W	3 - 45	3 - 45	3 - 45

COMPONENTS RLGHE



- 1 Return ball valve with integrated gravity brake (40 mbar)
- 2 Solar safety valve, 6 bar, TÜV approved
- 3 Connection of membrane expansion tank
Boiler filling and boiler emptying taps
(KFE taps)
- 5 Manometer
- 6 Solar pump
- 7 Flow indicator 1-13 l / min with flushing /
shut-off function, union nut G 1 x Male / G 3/4
- 8 Connection sheet for accumulator mounting,
union nut G 3/4
- 9 Insulation complete
- 10 2-circuit-solar controller STRGO
- 11 compression fitting ø 22 mm
- 12 Threaded bolt for tank mounting

COMPONENTS SST25X/1E

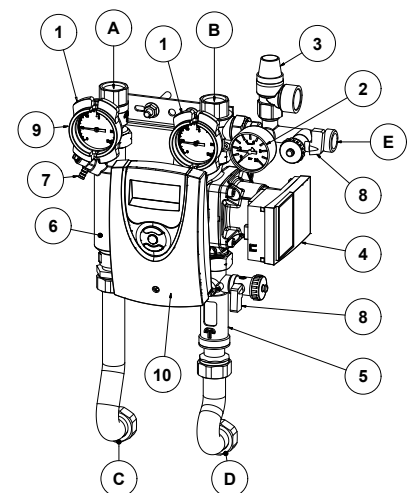


- 1 Return ball valve with integrated gravity brake
- 2 Manometer
- 3 Solar safety valve, 6 bar
- 4 Circulating pump
- 5 Flow meter volume, flow sensor
- 8 KFE tap
- 9 Thermometers

CONNECTIONS

- B Solar return
- D Tank return
- E Expansion tank connection
- F Receptacle

COMPONENTS SST252E



- 1 Return ball valves with integrated gravity brake
- 2 Manometer
- 3 Solar safety valve, 6 bar
- 4 Charging pump
- 5 Flow rate indicator 1-13 l / min incl.
rinsing and shut-off function
- 6 Air-jet
- 7 Bleed nipple
- 8 KFE tap
- 9 Thermometers
- 10 Solar pumping station STRGO
(module SSTX25/2E WITHOUT controller)

CONNECTIONS

- A Collector flow
- B Collector return
- C Tank flow
- D Tank return
- E Membrane expansion tank
- F Receptacle