

Allround-Maxim Plus-Modul 60 Cells

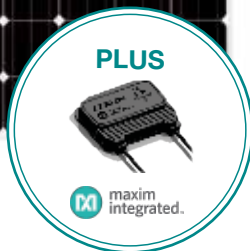
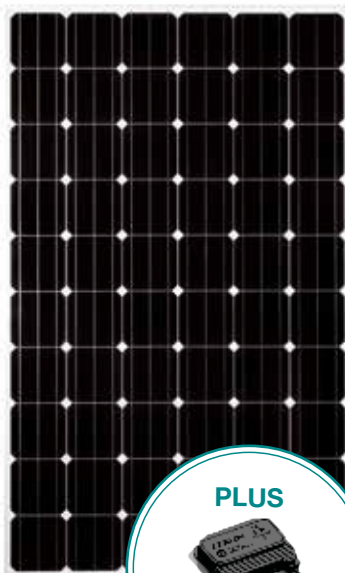
Full power, no matter what happens!

Product overview

Mono crystalline

Poly crystalline

| | | |
|----------------------------------|-------------------|-------------------|
| Max. power P _{mpp} [Wp] | 300 310 | 275 280 |
| Dimension L x W x H [mm] | 1668 x 994 x 40,5 | 1668 x 994 x 40,5 |
| Weight [kg] | 21 | 21 |



Product advantages

- Efficient:** More efficiency thanks to 6-times optimization
Single-string connection and Maxim junction box enable the regulation of every single cell row
No loss of power because of shadowing
 - Easy:** Compatible with every inverter
No additional equipment necessary
Module optimizes itself
 - Flexible:** Can be installed with every orientation
Suitable for all roofs
 - Durable:** Elimination of Hot Spots
optimized module degradation, module life-time is increased
- 10 years performance warranty 90%
25 years performance warranty 80%
12 years product warranty

Electrical Data

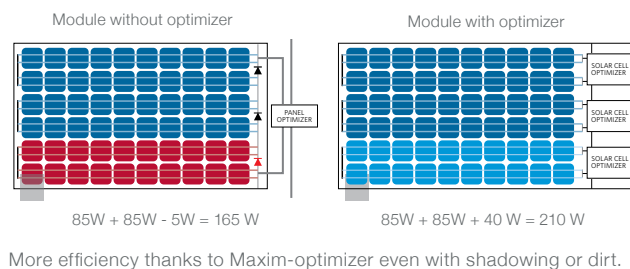
Mono crystalline

Poly crystalline

| | | Mono crystalline | | Poly crystalline | |
|-----------------------------|------|------------------|-------|------------------|-------|
| | | STC | STC | STC | STC |
| Max. power P _{mpp} | [Wp] | 300 | 310 | 275 | 280 |
| Voltage at P _{mpp} | [V] | 32,68 | 32,91 | 32,24 | 32,61 |
| Current at P _{mpp} | [A] | 9,29 | 9,42 | 8,53 | 8,59 |
| Open circuit voltage | [V] | 35 | 35 | 35 | 35 |
| Short circuit current | [A] | 9,69 | 9,85 | 9,08 | 9,13 |
| Module efficiency | [%] | 18,15 | 18,76 | 16,64 | 16,94 |

*standard testing conditions (STC): 1,000 W/m² - AM 1.5 - 25 °C

Advantages Allround-Maxim-Plus-Modul



Thermal characteristics / temperature coefficient

Mono crystalline

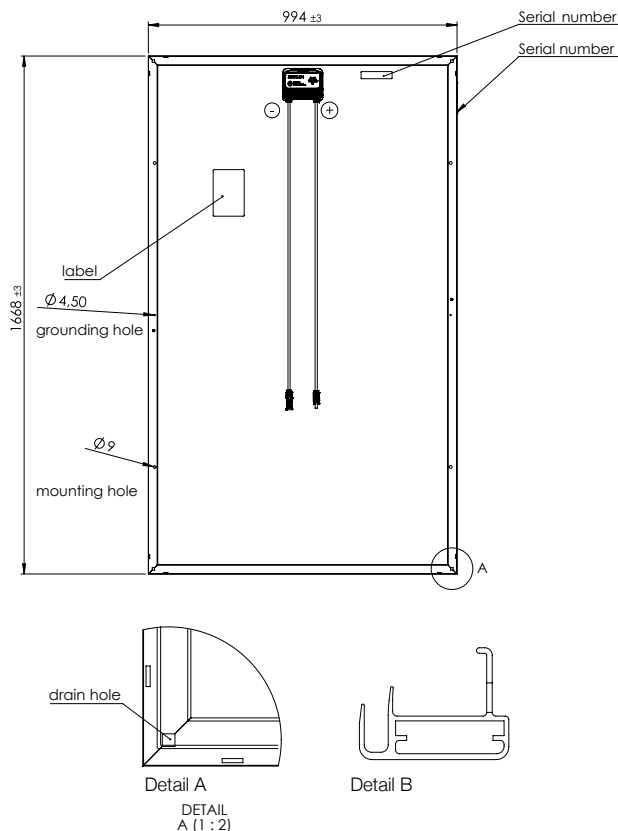
Poly crystalline

| | | | |
|--------|-------|-------|-------|
| TK P | [%/K] | -0,42 | -0,41 |
| TK Voc | [%/K] | -0,32 | -0,31 |
| TK Isc | [%/K] | 0,047 | 0,057 |
| NOCT | [°C] | 47 ±2 | 44 ±2 |

Additional data

Mono- & poly crystalline

| | |
|---|---|
| Plus sorting | -0% bis +3% |
| Mechanical load | 5400 Pa tested - test setup accord. IEC 61215 : 2005 90° load |
| Max. system voltage | 1000 V |
| Max. reverse current | 15 A |
| Junction box | Maxim-Zerun |
| Protection class junction box | IP 65 |
| Cable length/width | 1000 mm / 4 mm ² |
| Junction box connection | MC4 |
| Operating temperature | -40°C ~ +85°C |
| Cells | 156 x 156 poly / mono |
| Solar glass | 3,9 mm |
| Frame | Anodized aluminium |
| Measurement tolerance P _{max} ±3 % | |



This datasheet is not legally binding. Actual specifications and/or product features may vary. PVP Photovoltaik reserves the right to make changes to specifications without notice. Caution: Read the safety and installation instructions before using the product. The currently valid warranty/guarantee declaration and the general delivery terms and conditions are part of this datasheet. Further details can be found on our website (www.pvp.co.at). This data sheet complies with the requirements