

PFM ALPIN

PLUG & FLOW MODULE COLLECTOR

SONNENKRAFT

EASY

simple, quick in-/onroof mounting - Plug & Flow

EFFICIENT

Fast and easy installation using hydraulic connections

EXTRA

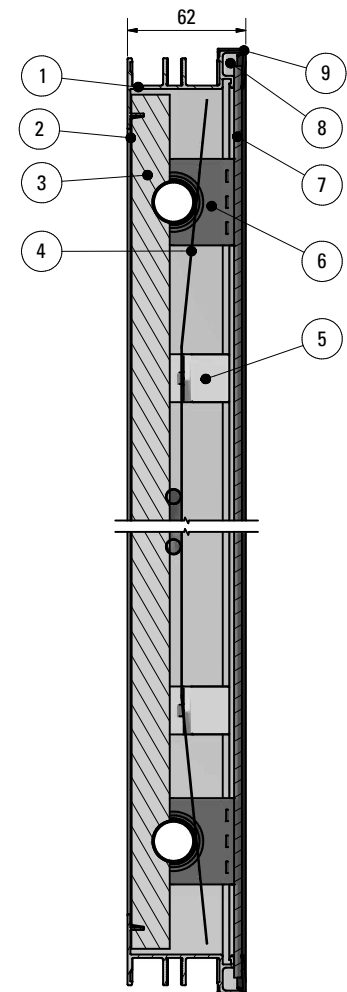
very low profile construction (62 mm)



TECHNICAL DATA

Name		PFMS2000	PFMS2500	PFMW2500	PFMS3300
Collectortype		Modular flat collector			
Mounting type		on-roof	in-roof or on-roof	on-roof	on-roof
Gross area	m ²	2,01	2,55	2,55	3,31
Aperture area	m ²	1,89	2,41	2,41	3,14
Absorber area	m ²	1,86	2,38	2,38	3,10
Length	mm	1700	2160	1180	2800
Width (incl. fittings)	mm	1180	1180	2160	1180
Height	mm	62	62	62	62
Weight (empty)	kg	33	42	42	53
Collector capacity	l	1,41	1,672	2,264	1,952
max. operating pressure	bar	10	10	10	10
Collector field piping		portrait format max. 10 pcs in series, landscape format: max. 6 pcs in series			
Collector incline	°	18 - 70			
Connections		4 connections copper 22 mm with expansion of pipe end to quick connector			
Absorber		Full-area laser-welded meander absorber (incl. elbow welding) with high-selectivity PVD coating, meandering flow, best solar yield guaranteed			
Collector housing		Weather-resistant with aluminium rear panel guarantees long service life and high reliability (max. snow load pressure 300 kg/m ²)			
Heat insulation		25 mm mineral wool			
Solar Keymark Reg. N°		011-7S 2393F	011-7S 2395F	011-7S 23963F	011-7S 2397F
optical efficiency eta ₀	%	80	81	80	81
Collector efficiency acc. to ErP Lot1 dT 40K@1000W/m ²	%	62	63	61	64

CROSS SECTION



- 1 Aluminium frame section
- 2 Aluminium rear panel
- 3 Thermal insulation
- 4 Absorber
- 5 Absorber pressure pad
- 6 Frame duct
- 7 Glass pane
- 8 2-component silicone seal
- 9 Cover strip

CONNECTION

