



Solar station

# RLGHE | SST25

## Simple

Ready to plug into the FWSS buffer tank

## Efficient

Energy-saving, high-efficiency solar pumps

## Extra

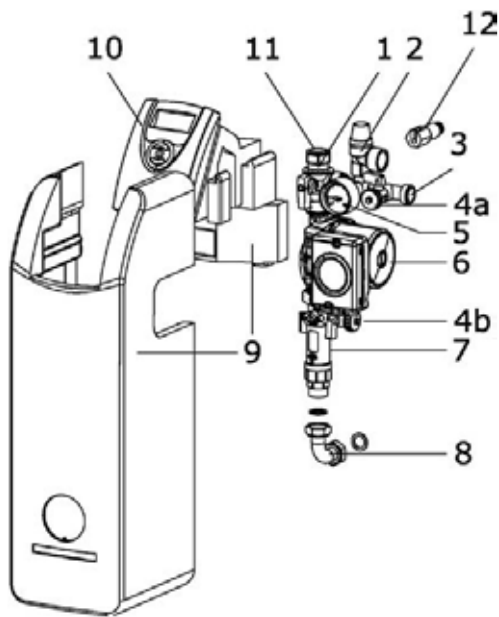
User-friendly controllers with predefined solar schemes



**“Plug & Flow” directly  
at the storage tank**

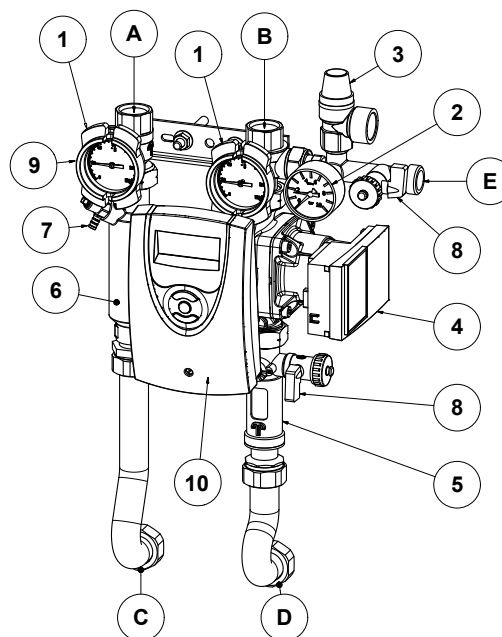
		RLGHE	SSTX25/2E & SST25/2E
		Single-strand	Two-strand
Dimensions (H x W x D)	mm	600 x 180 x 200	570 x 330 x 230
Cover		EPP black	EPP black
Weight	kg	7.5	8.5
Control		STRGO (two-circuit)	SSTX25/2E: - SST25/2E: STRGO (two-circuit)
Collector connections		3 x Pt1000 sensors Clamping ring lock ø 22 mm	3 x Pt1000 sensors G3/4" IG
Storage tank connections		G3/4" AG	G1" AG
Medium water (with max. propylene glycol)	%	50	40
Nominal width		DN 15	DN 15
Operating temp. Flow	°C	140	140
Operating temp. Return	°C	120	120
max. perm. operating pressure	bar	max. 6	max. 6
Charging pump		PARA 15/7.0	PARA 15/7.0
Power consumption	W	3 - 45	3 - 45

## RLGHE COMPONENTS



- 1 Return ball valve with integrated gravity brake (40 mbar)
- 2 Solar safety valve, 6 bar, TÜV-approved
- 3 Membrane expansion vessel connection
- 4a/4b Boiler filling and draining valves
- 5 Pressure gauge
- 6 Solar pump
- 7 Flow indicator 1 - 13 l/min with flush/shut-off function, union nut G 1 x AG / G 3/4
- 8 Connection bend for storage tank installation, union nut G 3/4
- 9 Insulation, complete
- 10 Two-circuit STRGO solar control unit
- 11 Clamping ring screw connection Ø 22 mm
- 12 Threaded bolt for storage tank mounting

## SST252E COMPONENTS



- 1 Ball valves, incl. gravity brake
- 2 Pressure gauge
- 3 Solar safety valve (6 bar)
- 4 Charging pump
- 5 Flow rate display 1-13 l/min, incl. flush and shut-off function
- 6 Air-jet
- 7 Bleed nipple
- 8 Boiler filling and draining valve
- 9 Dial thermometer
- 10 STRGO control unit (SSTX25/2E module WITHOUT controller)

## CONNECTIONS

- A Collector flow
- B Collector return
- C Storage tank flow
- D Storage tank return
- E Membrane expansion vessel
- F Collection container