

SONNENKRAFT PSC-E TANK



EASY

Plug & Flow - every part made for easy installation.

EFFICIENT

20% heat loss reduction.

EXTRA

Patented insulation caps.



SONNENKRAFT
Your future is renewable - with us since 1993

PSC-E

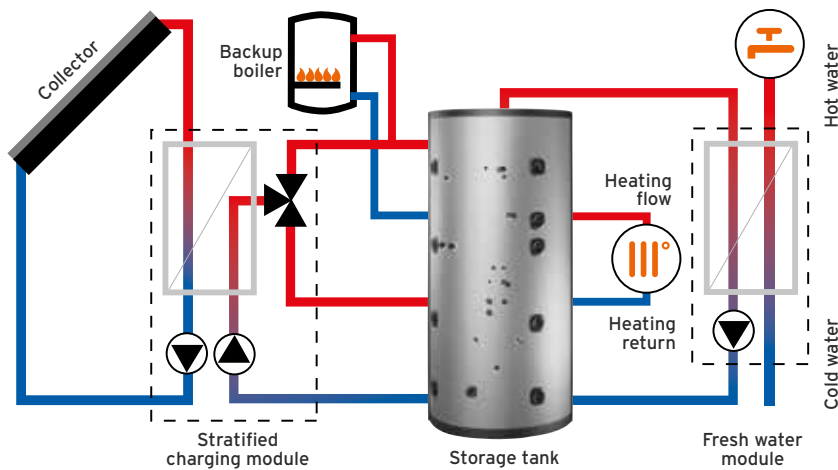
The PSC-E tank can cover up to 40% of your heating and up to 80% of your hot water demand. It is a part of the COMFORT E Plus solution together with an intelligent fresh water module, a high efficient stratification module and an optional heating circuit module. All developed to fit perfectly together.

WHAT IT DOES

The central buffer tank PSC-E provides a complete Plug & Flow solar heating system. The PSC-E stores the energy coming from the solar system or (when there is no sun) from the backup boiler.

HOW IT WORKS

The SLM50HE stratification module feeds the solar heat to the PSC-E backup tank. Hot water is provided by the FWM15i/30i fresh water module, heating is provided via the HKM20HE heating circuit module. The optional RAS20 return line increase module supports the oil/gas condensing boiler with solar energy and raises the efficiency of the heating system.



FITS WITH FOLLOWING MODULES:

SLM50HE



FWM15i/30i



HKM20HE



RAS20



YOUR BENEFITS AS AN INSTALLER



EASY

Detachable fleece insulation with optimal fit reduces installation and maintenance time.

EFFICIENT

Optimum solar stratification both for return flow and solar loading with vertical channels charging the layers and horizontal stratification plate.

EXTRA

Unique module mounting options: SLM50HE, FWM, HKM, RAS.

YOUR BENEFITS AS A CUSTOMER



EASY

Height adjustable feet and bottom cover strip.

EFFICIENT

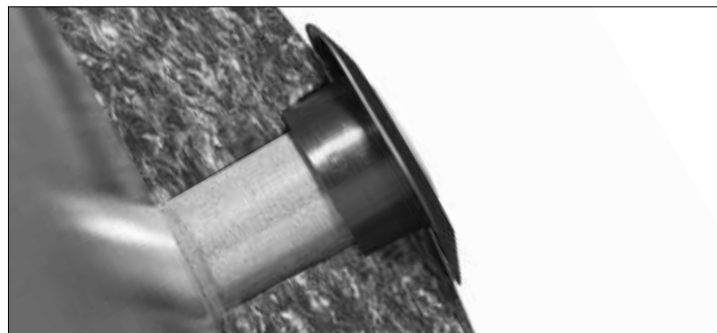
Suitable for higher volume flow rates - best fit for usage with heat pumps.

EXTRA

Up to 70% recycled material in the fleece insulation.

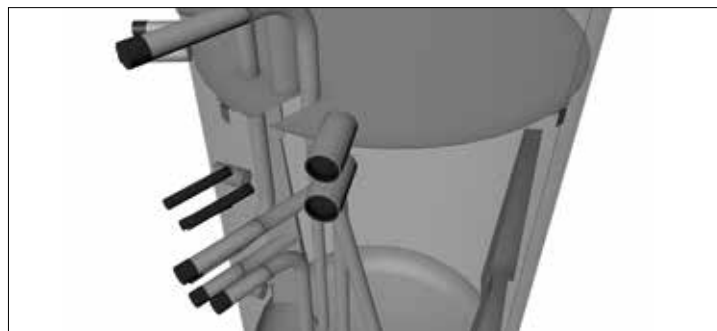
20% HEAT LOSS REDUCTION

Use of fleece fits perfectly to the surface of the tank, which eliminates chimney effects and provides better insulation of connection hoses. In addition patented insulation caps are helping to reduce heat losses of not used connections.



MOST EFFICIENT TANK

When the PSC-E tank is combined with the new FWMi and SLM50HE modules and the energy optimised RAS20 you get the most efficient solution of today.



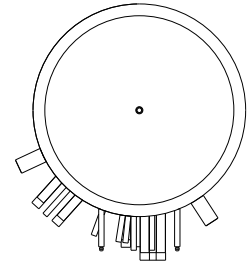
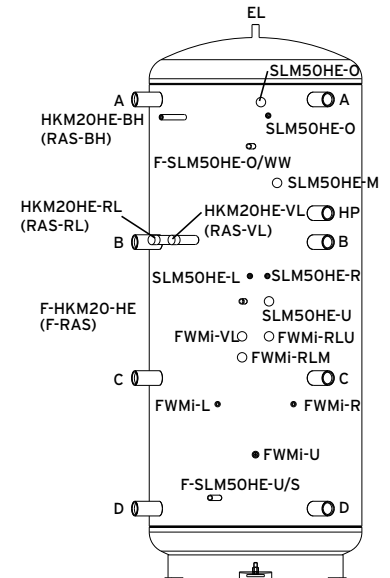
UNIQUE MOUNTING OPTIONS

All modules including the new RAS20 can be mounted directly on the tank.



TECHNICAL SPECIFICATIONS

TECHNICAL DATA	UNIT	Ø	PSC800E	PSC1000E
Art. no.	No.	-	121 444/C	121 445/C
Capacity	l	-	789	920
Diameter, insulated	mm	-	990	990
Diameter, not insulated	mm	-	790	790
Height, insulated	mm	-	1860	2140
Height, not insulated	mm	-	1778	2058
Height when tipped, not insulated	mm	-	1830	2100
Weight (without insulation)	kg	-	136	150
Permissible heating pressure	bar	-	3	3
Permissible heating temp.	bar	-	95	95
Sleeve A, 2 x (boiler flow inlet for hot water or el. heating)	mm	Rp 6/4"	1450	1780
Sleeve B, 2 x (heating flow outlet, el. heating or boiler flow inlet for heating)	mm	Rp 6/4"	1030	1250
Sleeve C, 2 x (heating return line or el. heating)	mm	Rp 6/4"	630	745
Sleeve D, 2 x (floor heating return line, drain)	mm	Rp 6/4"	260	260
Sleeve HP 1x (f.e. heat pump return line for hot water reheating or immersion heater EHP)	mm	Rp 6/4"	1210	1400
EL deaeration	mm	Rp 1/2"	top	top



SLM50HE stratified charging module connections

SLM50HE-O forward flow "top"	mm	G 1"	1670	1770
SLM50HE-M forward flow "middle"	mm	G 1"	1370	1470
SLM50HE-U return flow "bottom"	mm	G 1"	930	1030
F-SLM50HE-O/WW - sensor immersion sleeve SLM50HE "top"/hot water	mm	Di 15 x 100	1500	1600
F-SLM50HE-U/S - sensor immersion sleeve SLM50HE "bottom"/solar	mm	Di 15 x 100	300	300

FWMi fresh water module connections

FWMi-VL forward flow outlet	mm	G 1"	800	900
FWMi-RLM return "middle"	mm	G 1"	722	822
FWMi-RLU return "bottom"	mm	G 1"	800	900

Connections HKM20HE heating circuit module OR RAS20 return line increase module

HKM20HE-VL/RAS-VL flow line	mm	G 1"	1158	1258
HKM20HE-RL/RAS-RL return line	mm	G 1"	1158	1258
F-HKM20HE/F-RAS sensor immersion sleeve	mm	Di 15 x 100	930	1030

Fastening points for Modules

SLM50HE-O	mm	M8	1620	1720
SLM50HE-L/R	mm	2 x M8	1024	1124
FWMi-L/R	mm	Bolt/Bolt	548	648
FWMi-U	mm	M10	360,5	460,5
HKM20HE-BH (RAS-BH)	mm	M8	1614	1714

ErP data hot water storage tanks

storage volume	l	-	776	912
standing loss	W	-	131	138
energy efficiency class	-	-	C	C

Contact your SONNENKRAFT sales representative today.
The sun will rise again tomorrow.

