

# SONNENKRAFT

# DHW DOMESTIC HOT WATER TANK



## EASY

Plug& Flow - every part made for easy installation.

**E<sup>3</sup>**

## EFFICIENT

Up to 80% less energy demand compared to standard pump units due to high efficiency pumps.

## EXTRA

Unique design to reduce space, with pre-mounted high efficiency pump including pre-set control unit.



# DHW-TANK

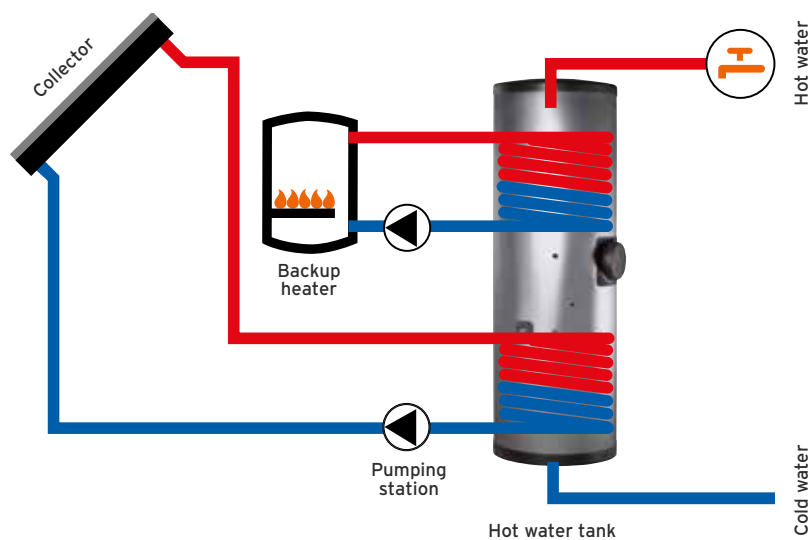
The DHW is an easy and quick to install hot water tank - now with pre-installed high efficiency pump unit with pre-set control unit up to 500l. Tanks up to 500l are directly fitted with a CFC-free insulation that minimizes heat losses; tanks from 750l up to 1000l are equipped with a removable high effective fleece insulation jacket to simplify transport into the boiler room. A solar expansion vessel may also be mounted directly to the tank up to 750l. All components are of European high quality to ensure durability and high efficiency combined with a modern design. All together the DHW tank is an attractive investment for households with limited room for a solar installation and maximum demand for quality and efficiency.

## WHAT IT DOES

The Solar Hot Water tank DHW uses the energy of the sun to heat up domestic hot water needed for instance in the kitchen or bathroom.

## HOW IT WORKS

The sun heats up the liquid in the solar panels on the roof. The HE pump unit RLGHE (pre-installed up to 500l) transfers the solar liquid to the hot water tank DHW where the domestic hot water is stored - ready for use. For times without sun, any auxiliary heating system can be connected.



## FITS WITH THE FOLLOWING MODULES AND COMPONENTS:

RLGHE



AGS



EHPDHW



## YOUR BENEFITS AS AN INSTALLER



### EASY

Pre-mounted pump unit up to 500l, quick and easy mounting from 750l up to 1000l.

### EFFICIENT

Time and cost saving thanks to pre-mounted HE pump unit with pre-set controller and ready-to-install solar expansion tank.

### EXTRA

Takes up a minimum of space, height adjustable feet up to 500l.

## YOUR BENEFITS AS A CUSTOMER



### EASY

Automatic operation, perfect match with any backup heating, and minimum maintenance.

### EFFICIENT

The solution covers up to 80% of your hot water demand, and its high efficiency pump requires up to 80% lower electricity consumption than standard pump units on the market.

### EXTRA

Fits in every home due to its modern and compact design, taking up only about 1 m<sup>2</sup> floor space.

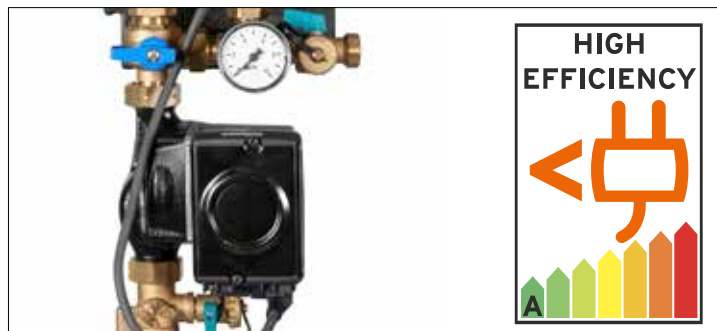
## "PLUG & FLOW"

Quick and easy "Plug and Flow" installation thanks to pre-mounted high efficiency pump station RLGHE with pre-set control unit.



## HIGH EFFICIENCY

We already fulfill the use of high efficiency solar pumps (mandatory from 2015), which means up to 80% less energy demand than standard pumps!



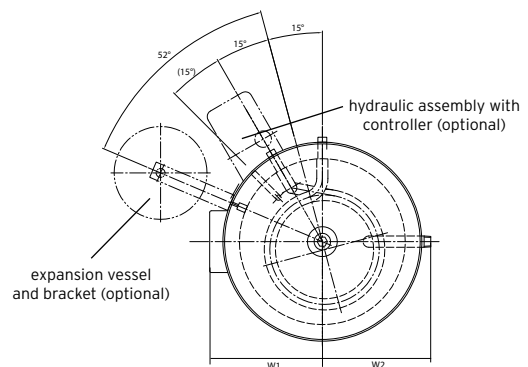
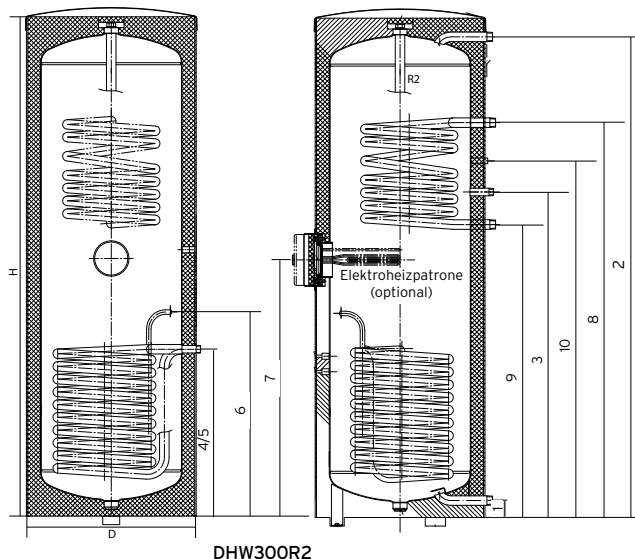
## UNIQUE DESIGN

The design of the DHW is a story of its own. We have put great effort into designing the DHW to look great - and to take up a minimum of space in the household.



TECHNICAL SPECIFICATIONS Type	DHW200		DHW300		DHW400		DHW500	DHW750	DHW1000	
	PR1 (-EHP)	PR2	PR1 (-EHP)	PR2	PR1 (-EHP)	PR2	PR2	R2	R2	
Art.Nr.	121 236	121 227	121 228	121 229	121 238	121 231	121 233	121 234	121 235	
Capacity	l	190.6	184.4	291.5	284.9	373.4	365.5	449.2	733.1	863.7
Diameter, with insulation D	mm	540		600		700		970		
Height, with insulation H	mm	1432		1794		1591		1921	1816	2101
Tilted height, without lid	mm	1514		1876		1713		2022	1777	2052
Weight	kg	86	90	115	123	128	138	160	235	254
max. domestic water pressure	bar	10								
max. solar circuit pressure	bar	10								
max. operating pressure heating	bar	10								
max. operating water temp.	°C	95								
max. operating temp. solar circuit	°C	110								
max. heating system temperature	°C	110								
Surface area solar heat exchanger	m <sup>2</sup>	0.8		1.16		1.53		1.95	2.2	
Surface area heating register	m <sup>2</sup>	-	0.69	-	0.75	-	1	1.28	2.0	
Solar heat exchanger capacity	l	5.59		8.12		12.9		13.62	15.6	
Heating syst. heat exchanger cap.	l	-	4.86	-	5.18	-	6.97	8.92	14.2	
Performance indicator N <sub>L</sub> solar heat exchanger	N <sub>L</sub> / kW	2.8 / 27		4.1 / 36		9.4 / 43		14.7 / 60	37 / 63.0	
Performance indicator N <sub>L</sub> upper heat exchanger	N <sub>L</sub> / kW	-	2.4 / 25	-	2.5 / 27	-	5.7 / 31	8.9 / 40	12 / 59.5	
<b>1 Cold water</b>	R mm	3/4" 55		1" 90		1" 55		1" 55	1 1/4" 140	
<b>2 Hot water</b>	R mm	3/4" 1371		1" 1728		1" 1526		1" 1856	1 1/4" 1598	1 1/4" 1870
<b>3 Circulation</b>	R mm	3/4" 901		3/4" 1180		3/4" 1112		3/4" 1264	3/4" 1112	3/4" 1384
<b>4 Solar flow</b>	G mm	3/4" 486		3/4" 620		3/4" 639		3/4" 774	3/4" 823	
<b>5 Solar return</b>	G mm	3/4" 486		3/4" 620		3/4" 639		3/4" 774	3/4" 823	
<b>6 Sensor immersion sleeve</b>	mm	Ø 12 617		Ø 12 751		Ø 12 771		Ø 12 774	Ø 16 467	
<b>7 Inspection flange / electric heater flange</b>	mm	DN 110 713		DN 110 940		DN 110 726		DN 110 995	DN 110 905	DN 110 1177
<b>8 Heating flow</b>	R mm	-	1" 1148	-	1" 1425	-	1" 1355	1" 1604	1" 1405	1" 1677
<b>9 Heating return</b>	R mm	-	1" 788	-	1" 1065	-	1" 1007	1" 1115	1" 1000	1" 1272
<b>10 Sensor immersion sleeve</b>	mm	-	Ø 16 1013	-	Ø 16 1065	-	Ø 16 1224	Ø 16 1411	Ø 16 1270	Ø 16 1542
Anode	mm	Ø 33 x 330	Ø 33 x 410	Ø 33 x 480	Ø 33 x 590	Ø 33 x 590	Ø 33 x 690	Ø 33 x 850	Ø 33 x 530 (2X)	Ø 33 x 625 (2X)
ErP data hot water storage tanks										
storage volume	l	196	196	300	300	386	386	474	763	896
standing loss	W	73	73	83	83	87	87	101	135	143
energy efficiency class	-	C	C	C	C	C	C	C	C	C
pump power consumption (50% nominal power) acc. ErP Lot2	W	35								
standby power consumption acc. ErP Lot2	W	0,60								

## Schematic drawings DHW



Contact your SONNENKRAFT™ sales representative today.  
The sun will rise again tomorrow.

 **SONNENKRAFT**<sup>®</sup>  
Your future is renewable - with us since 1993