

SONNENKRAFT

PSKR18HE/-C3/-0 MODULE



PSKR18HE-C3



PSKR18HE



PSKR18HE-0



EASY

Plug & Flow - every part made for easy installation.

EFFICIENT

New High efficiency pump uses up to 80% less energy.

EXTRA

Compact modern design for a nice look and reduced space.



PSKR18HE/-C3/-O

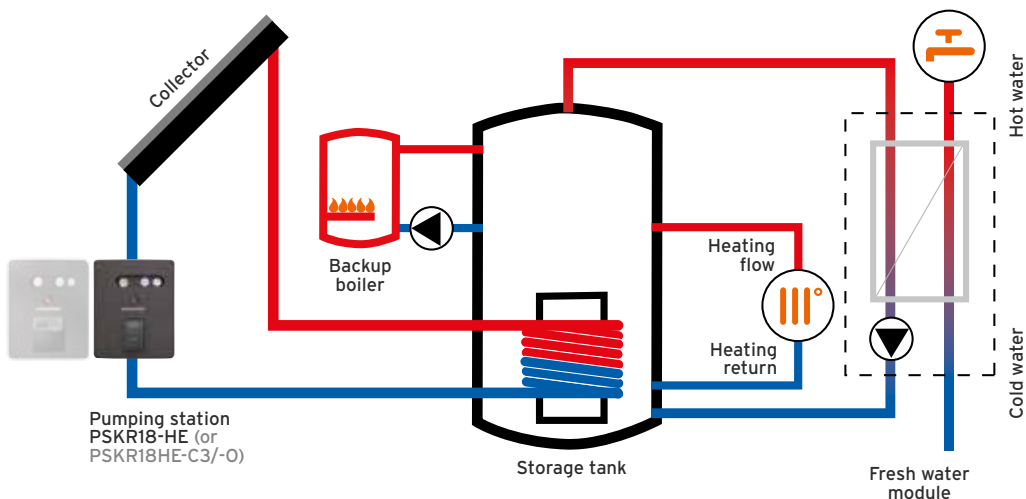
The solar pump unit PSKR18HE/-C3/-O is used in combination with the PSR-E-tank for charging the tank using solar energy. The high efficient solar pump ensures minimized costs for electricity up to 80%. The awaited new law regarding mandatory use of high efficiency pumps expected in 2015 will be fulfilled.

WHAT IT DOES

The PSKR18HE/-C3 charges the buffer tank PSR-E via a presetted control unit which controls the speed of the high efficiency solar pump - depending on the available irradiation of the sun and on the current temperatures in the tank. Together with the encapsulated solar register the charging of the buffer tank is made very fast and efficient.

HOW IT WORKS

As soon as the collector is heated up by the sun and the temperature of the solar fluid is high enough the pump of the PSKR18HE/-C3 starts. The presetted control unit controls the high efficiency pump speed - depending on the available irradiation of the sun and on the current temperatures in the buffer tank PSR-E.



FITS WITH THE FOLLOWING TANK:

PSR-E



YOUR BENEFITS AS AN INSTALLER



EASY

Plug & Flow - every part made for easy installation directly on the tank.

EFFICIENT

All components are pre-assembled and pre-wired in the box for a fast and efficient installation.

EXTRA

30% improvement in flow rate means high operating range - can operate bigger collector areas.

YOUR BENEFITS AS A CUSTOMER



EASY

New easy operating panel (PSKR18HE-C3).

EFFICIENT

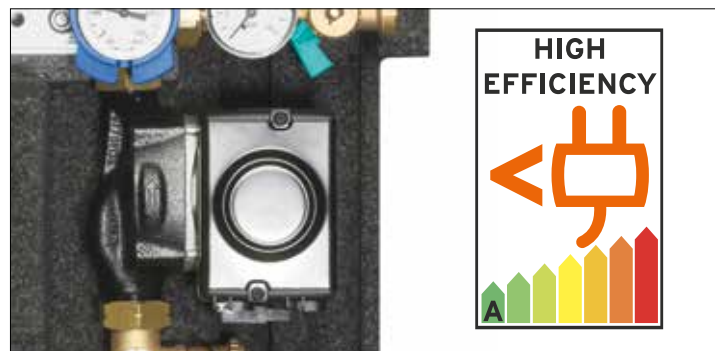
New High efficiency class A pumps use 80% less energy (PSKR18HE/-C3/-O).

EXTRA

Compact modern design for a nice look and reduced space.

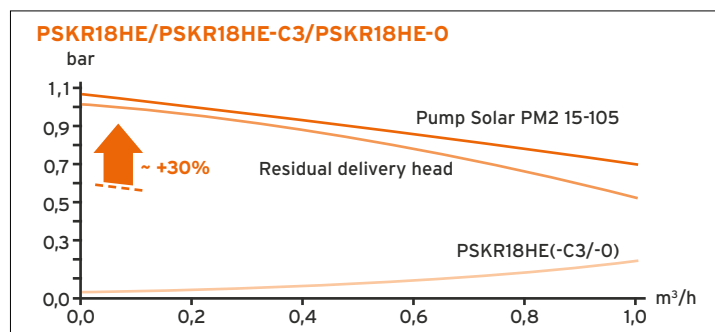
NEW HE PUMP USES UP TO 80% LESS ENERGY

New law regarding mandatory use of high efficiency pumps expected in 2015.



HIGH OPERATING RANGE

30% improvement in flow rate enables the module to operate bigger collector areas.



NEW CONTROLLER PSKR18HE-C3

With the SKSC3HE up to 3 heating circuits (in conjunction with SKSCM1), and an external heat source (eg. boiler) can be controlled.

Other advantages are the possibility of an integrated thermal energy metering and data storage and software update via SD card.



TECHNICAL SPECIFICATIONS

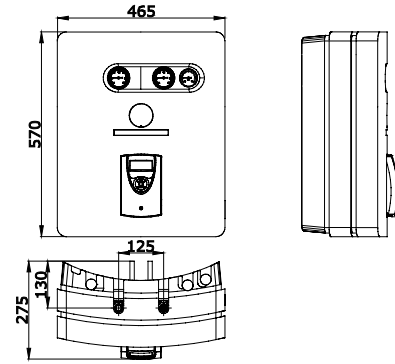
TECHNICAL DATA	PSKR18HE	PSKR18HE-C3	PSKR18HE-O
Art. no.	131 338	131 339	131 340
High Efficiency Pump	UPM3 15-75 130		
Control unit	SKSC2HE	SKSC3HE	-
Operating pressure	max. 6 bar		
Flow operating temperature	max. 140 °C		
Return operating temperature	max. 95 °C		
Medium	Water with max. 50 % propylene glycol		
Collector connections	Compression fitting Ø22 mm		
Tank connections	External thread G 1, flat seal		
Opening pressure, gravity brakes	20 mbar		
Volume flow measurer (VFD/VFS sensors)	1-12 l/min		
Operating voltage	230 V/50 Hz		
Power consumption, pump PM2 15-105	45 W		

MATERIALS	
Seals	EPDM/AFM 34
Connecting parts	CW 617 (2,0401)
Insulation	EPP foam
Thermal conductivity	0.038 W/mK

ErP data hot water storage tanks	
pump power consumption acc. ErP Lot2	23 W
standby power consumption acc. ErP Lot2	0,6 W

INSTALLATION OPTIONS	
	on tank PSR-E on wall

DIMENSIONS

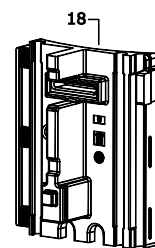
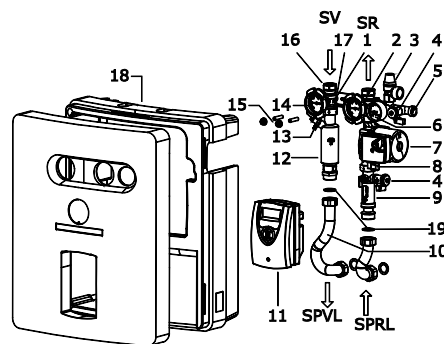


COMPONENTS

- Forward flow ball valve with integrated gravity brake
- Return flow ball valve with integrated gravity brake
- Solar 6 bar safety valve
- Boiler filling and draining valves
- Connection, diaphragm expansion tank
- Pressure gauge
- Solar pump
- Pump cable PR61C 2,7 m
- Flow gauge (VFD/VFS sensor) for PSKR18HE, 1-12 l/min
- Buffer connection set PSKR
- Solar controller SKSC2HE (PSKR18HE)
Solar controller SKSC3HE (PSKR18HE-C3)
- Airjet for PSKR
- Airjet, manual bleeder screw
- Indicator thermometer
- Tank mounting set (2 threaded pins, nuts)
- Compression fitting Ø 22 mm
- Spring PSKR (2 parts)
- Heat insulation, complete PSKR18HE (4 parts)
Heat insulation, complete PSKR18HE-O (5 parts)
- Seal set 1" (4 parts)
- Seal set 3x1", 1x 3/4" PSKR18HE
- Valve coupling DN 20 with drain
- Retaining clip

Optional components

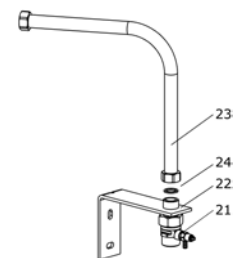
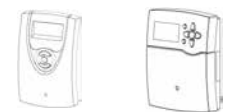
- Connecting hose for expansion tanks, Flexible reinforced hose, 500 mm or 1500 mm
- IT seal MAGAS-D
- Wall mounting set (each 2 panel screws, spacer sleeves, anchors, nuts)



0000 19
0000 20

CONNECTIONS:
SV: Solar forward flow
SR: Solar return flow
SPVL: Tank forward flow
SPRL: Tank return flow

SKSC2HE (PSKR18HE) SKSC3HE (PSKR18HE-C3)



Contact your SONNENKRAFT sales representative today.
The sun will rise again tomorrow.

 **SONNENKRAFT**
Your future is renewable - with us since 1993