

SONNENKRAFT RAS20 MODULE



EASY

Can be mounted directly on the PSC tank or on the wall - Plug & Flow.

EFFICIENT

Better tank stratification because of significant lower flow rate in the tank. For longer availability and more efficient use of solar energy.

EXTRA

For the first time a heating module working with condensing boilers for the optimal usage of solar yield.



RAS20

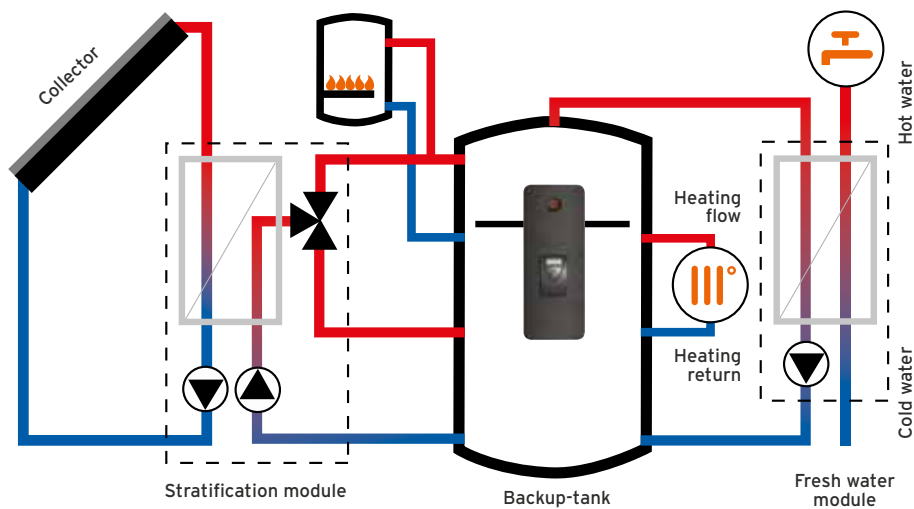
The RAS20 is a heating module which supports the oil/gas condensing boiler with solar energy, which improves the efficiency of the heating system. It works specially well with retrofit solutions, when installing solar in combination with traditional heating solutions.

WHAT IT DOES

The module RAS20 raises the return flow temperature of the heating circuit and simultaneously serves as a mixing unit for the heating circuit forward flow during buffer tank extraction.

HOW IT WORKS

The control unit SKSCRAS operates the mixing valve - which is responsible to mix the heating flow to the temperature needed from the condensing (or also standard) boiler. This is made in the best possible and efficient way!



**FITS WITH THE
FOLLOWING TANK:**

PSC-E



YOUR BENEFITS AS AN INSTALLER



EASY

Plug & Flow - every part made for easy installation.

EFFICIENT

Increases the return line temperature from the radiator (or floor heating) to the boiler for higher efficiency.

EXTRA

New invention by SK. For the first time a heating module working with condensing boilers for optimal usage of solar yield.

YOUR BENEFITS AS A CUSTOMER



EASY

Harmonised components for simpler maintenance.

EFFICIENT

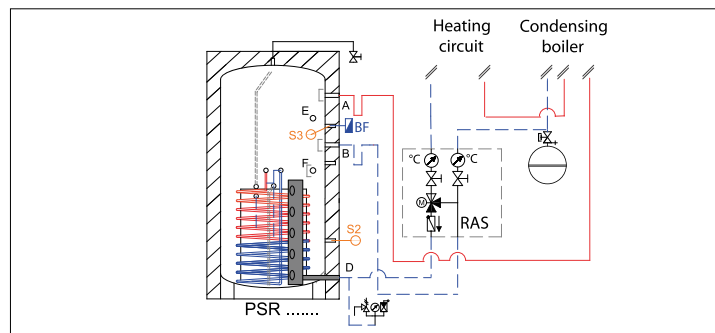
Most sophisticated and efficient integration of solar energy in housing with traditional backup heating system.

EXTRA

Self-controlled adaption to calculated external temperature.

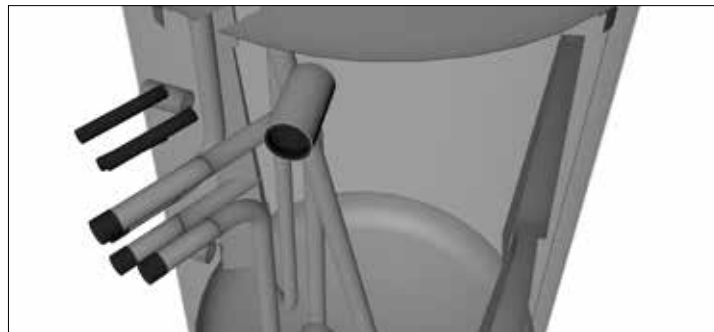
COMPENSATED RETURN INCREASE

The oil/gas condensing boiler is only supplied with exactly as much heat as needed.



OPTIMAL EFFICIENCY

The RAS20 guarantees the optimal efficiency using solar energy. The stratification in the tank is not disrupted.



UNIQUE MOUNTING OPTIONS

The RAS20 can be mounted directly on the PSC-E tank or it can be wall mounted.



TECHNICAL SPECIFICATIONS

TECHNICAL DATA	RAS20
Art. no.	131 325
Nominal width:	DN 20
Operating pressure:	max. 3 bar
Operating temperature:	max. 115 °C
Medium:	Heating water according to VDI 2035
Connections, heating circuit side:	Compression fitting Ø22 mm
Connections, buffer side:	External thread G1, flat seal
Axis distance:	100 mm
k_{VS} mixer:	4,0
Heating capacity at v_{max} 1m/s, Δt 10K Δt 20K	9 kW 18 kW
Opening pressure, gravity brake	20 mbar
Operating voltage:	230 V/50 Hz

ACTUATOR	
Operating voltage:	230 V/50 Hz
Power consumption:	3,5 W
Running time:	105 s
Rotation angle:	90°
Starting torque:	max. 8 Nm
Permissible ambient temperature:	0-60°C
Housing protection type:	IP 44 IEC 529
Protection class:	II VDE 0631
Connecting cable:	3 x 0,5 mm ²

MATERIALS	
Seals:	EPDM/AFM 34
Connecting parts:	CW 617 (2,0401)
Insulation:	EPP foam
Thermal conductivity:	0,038 W/mK

CONNECTIONS	
HRL	Heater return flow
KRL	Boiler return
SPRL	Tank return flow
SPVL	Tank forward flow

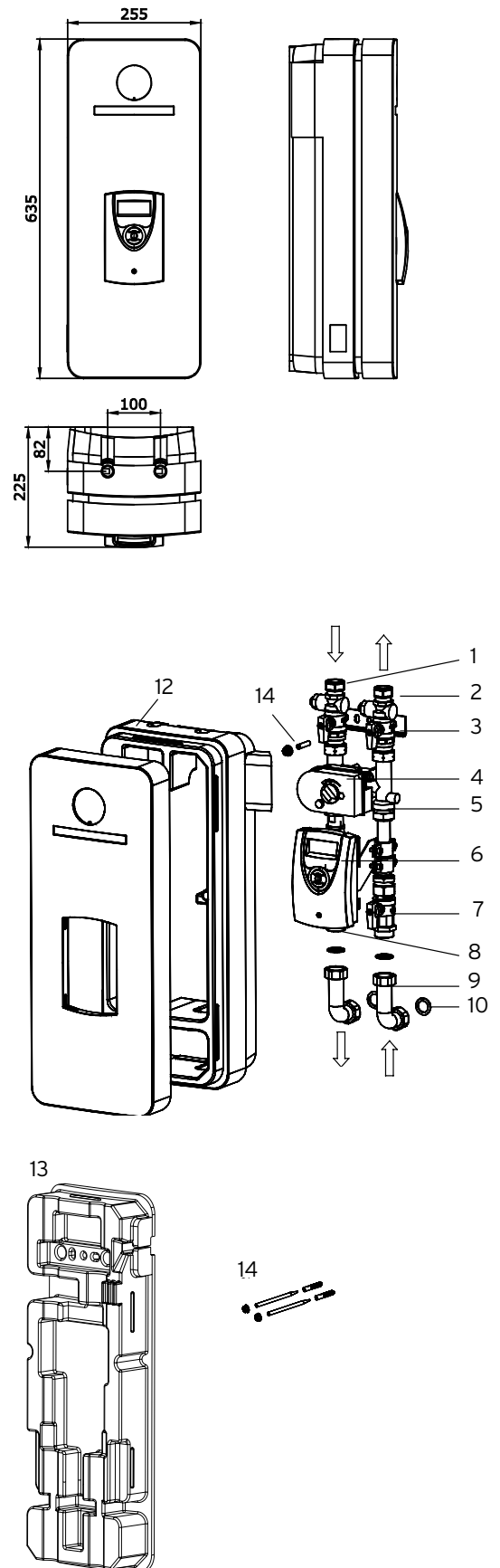
INSTALLATION OPTIONS:	on tank PSC-E on wall
------------------------------	--------------------------

ACCESSORIES:	HKM20/RAS20-WMS, 130 522 Wall mounting kit
---------------------	---

COMPONENTS

- | | |
|--|---|
| 1. HRL ball valve, heating circuit side KR Ø22 mm incl. gravity brake, immersed sleeve | 8. SPRL ball valve, buffer side G1 AG |
| 2. KRL ball valve, heating circuit side KR Ø22 mm incl. immersed sleeve | 9. Buffer connection lines, 2 pieces |
| 3. Mounting plate, incl. holder | 10. Flat seal set |
| 4. Actuator, 230V, 105 sec. | 11. Tank mounting set (threaded pin, nut) |
| 5. 3-way mixer, incl. bypass | 12. Heat insulation, complete RAS20 (4 parts) |
| 6. Controller SKSCRAS | 13. Heat insulation, wall mounting (1 part) |
| 7. SPVL ball valve, buffer side G1 AG | 14. Fastening set (panel screws, anchors, nuts) |

DIMENSIONS



Contact your SONNENKRAFT sales representative today.
The sun will rise again tomorrow.

 **SONNENKRAFT**
Your future is renewable - with us since 1993