

SONNENKRAFT HKM20HE MODULE



EASY

Plug & Flow - every part made for easy installation.

EFFICIENT

New High efficiency pump uses up to 80% less energy.

EXTRA

Delivery height of the stronger pump increased by 40%
- enables support of larger floor heating systems.



HKM20HE

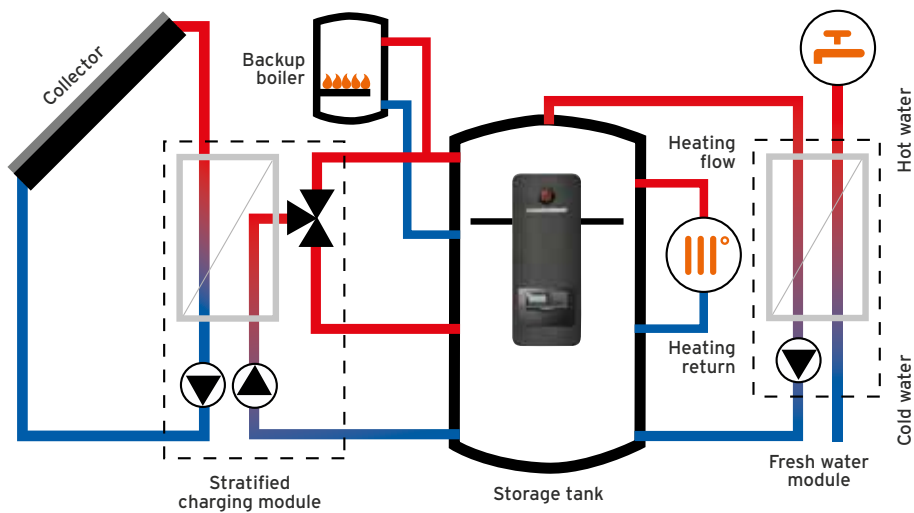
The heating circuit module HKM20HE is used to support floor heating and/or radiator heating systems with heat. All components fit perfectly together and in combination with the high efficiency pump the module is at the latest standard.

WHAT IT DOES

The heating circuit module HKM20HE is designed for operation of a mixed heating circuit - eg. floor heating or radiator circuit. The heat source is mostly the buffer tank PSC-E of the COMFORT E Plus system solution.

HOW IT WORKS

In the best case a solar heated buffer tank like the PSC-E of the system solution COMFORT E Plus is the heating source. A weather controlled control unit operates the pump and the mixing valve - which is responsible to mix the heating flow to the right temperature.



**FITS WITH THE
FOLLOWING TANK:**

PSC-E



YOUR BENEFITS AS AN INSTALLER



EASY

Can be mounted directly on the PSC-E tank or on the wall.

EFFICIENT

New High efficiency pump uses up to 80% less energy.

EXTRA

Delivery height of the stronger pump increased by 40%, which enables support of larger floor heating systems and longer tube lengths.

YOUR BENEFITS AS A CUSTOMER



EASY

Harmonised components for simpler maintenance.

EFFICIENT

Energy efficiency class A pump.

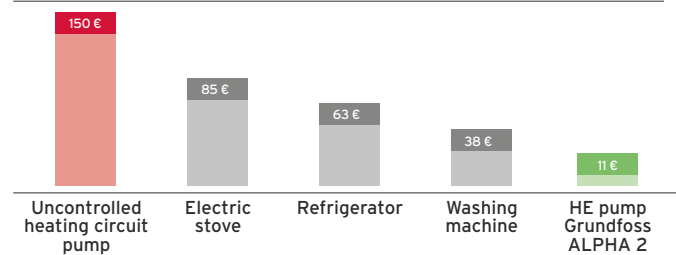
EXTRA

The new HKM20HE complies with law regarding mandatory use of high efficiency pumps expected in 2013/2015.

NEW HE PUMP USES 80% LESS ENERGY

This enables the pump to be in energy efficiency class A.

Typical demand on electricity in Euro per year for an one-family house with 3 persons



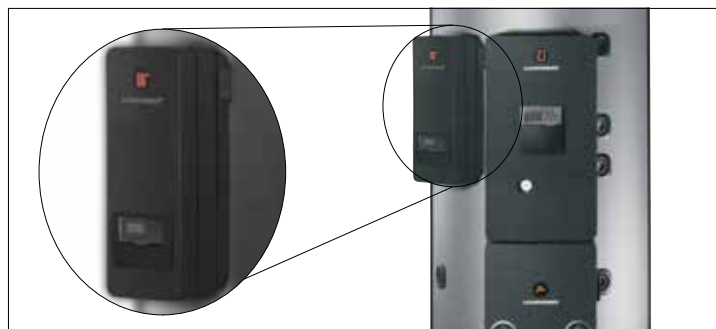
MORE DELIVERY HEIGHT

The powerful pump enables bridging over larger pressure losses in the system.



UNIQUE MOUNTING OPTIONS

The HKM20HE can be mounted directly on the PSC-E tank or it can be wall mounted.



TECHNICAL SPECIFICATIONS

TECHNICAL DATA	HKM20HE	HKM20HE-O
Art. no.	131 220	131 222
High Efficiency Pump	ALPHA 2 15-60	ALPHA 2 15-60
Control unit	SKSCEM1	-
Nominal width:	DN 20	
Operating pressure:	max. 3 bar	
Operating temperature:	max. 115 °C	
Medium:	Heating water according to VDI 2035	
Connections, heating	Compression fitting \varnothing 22 mm	
Connections, boiler-	External thread G1, flat seal	
Axis distance:	100 mm	
k_{VS} mixer:	4,0	
Heating capacity at v_{max} 1m/s, Δt 10K Δt 20K	9 kW 18 kW	
Opening pressure, gravity brake:	20 mbar	
Operating voltage:	230 V/50 Hz	
Power consumption pump Alpha2:	max. 45 W	

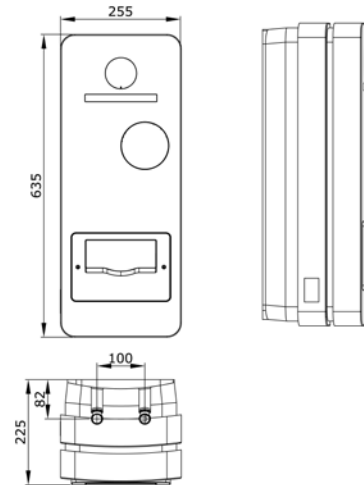
ACTUATOR	
Operating voltage:	230 V/50 Hz
Power consumption:	3,5 W
Running time:	105 s
Rotation angle:	90°
Starting torque:	max. 8 Nm
Permissible ambient temperature:	0-60°C
Housing protection type:	IP 44 IEC 529
Protection class:	II VDE 0631
Connecting cable:	3 x 0,5 mm ²

MATERIALS	
Sealings:	EPDM/AFM 34
Connectors:	CW 617 (2,0401)
Insulation:	EPP-foam
Thermal conductivity:	0,038 W/mK

INSTALLATION OPTIONS:	on tank PSC-E on wall
-----------------------	--------------------------

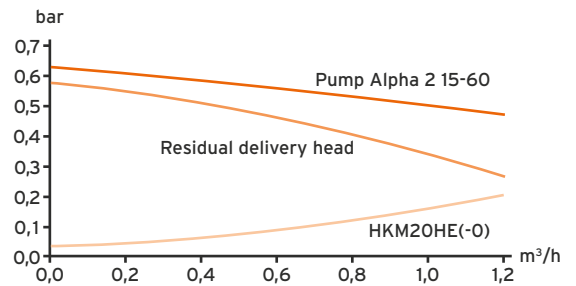
ACCESSORIES:	HKM20HE/RAS20-WMS, 130 522 Wall mounting kit
--------------	-------------------------------------------------

DIMENSIONS



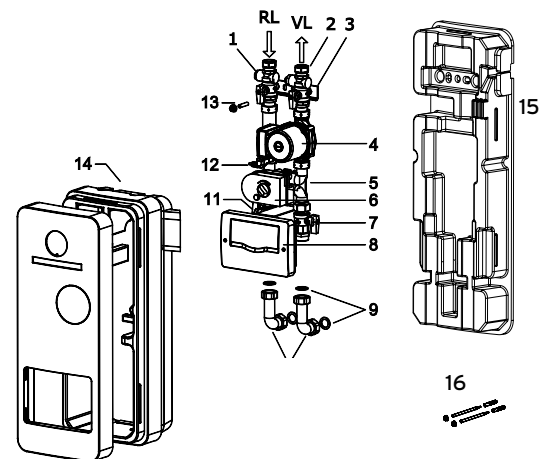
PRESSURE LOSS AND RESIDUAL DELIVERY HEAD

HKM20HE/HKM20HE-O



COMPONENTS

- Return flow ball valve, heating circuit side KR \varnothing 22 mm.
- Forward flow ball valve, heating circuit side KR \varnothing 22 mm incl. immersed sleeve.
- Mounting plate including holder
- High efficiency pump Alpha2 15-60 130 6H
- 3-way mixer, incl. gravity brake and bypass
- Actuator, 230V, 105 sec.
- Forward flow ball valve, buffer side AG G1
- Heating circuit control unit SKSCEM1
- Flat seal set
- Buffer connection lines (2 pieces)
- Return flow ball valve, buffer side AG G1
- Cable 2.7 m with push-in L-connector for Alpha2
- Tank mounting set (threaded pin, nut)
- Heat insulation, complete HKM20HE (4 parts)
Heat insulation, complete HKM20HE-O (5 parts)
- Heat insulation, wall mounting (1 part)
- Fastening set (panel screws, anchors, nuts)



Contact your SONNENKRAFT sales representative today.
The sun will rise again tomorrow.

 **SONNENKRAFT**
Your future is renewable - with us since 1993